

E300R

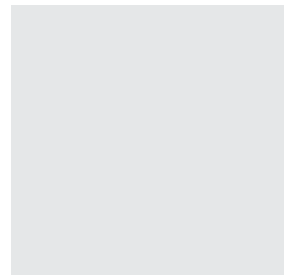
HANDLES LOADS UP TO 300 KG

TAILORED FOR THE MOST DEMANDING JOBS

E300R is Hovmand's largest lifter. With E300R you can lift, move, grip, turn and tip up to 300 kg up to 1,650 mm in height. Made in stainless steel and equipped with a remote control for easy operation.

The lifter is highly configurable as it can be equipped with a broad range of manual and electrical tools from platforms, booms and forks to advanced gripping tools. The grippers for the electrical tools can be customized for almost every drum, vat, container or kettle.

All tools for E300R are made of stainless steel and available in customized sizes. The two mast heights can be combined with four different leg types.

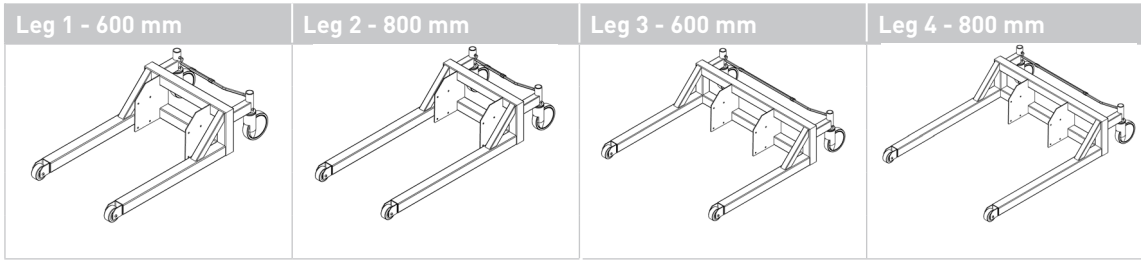


HOVMAND

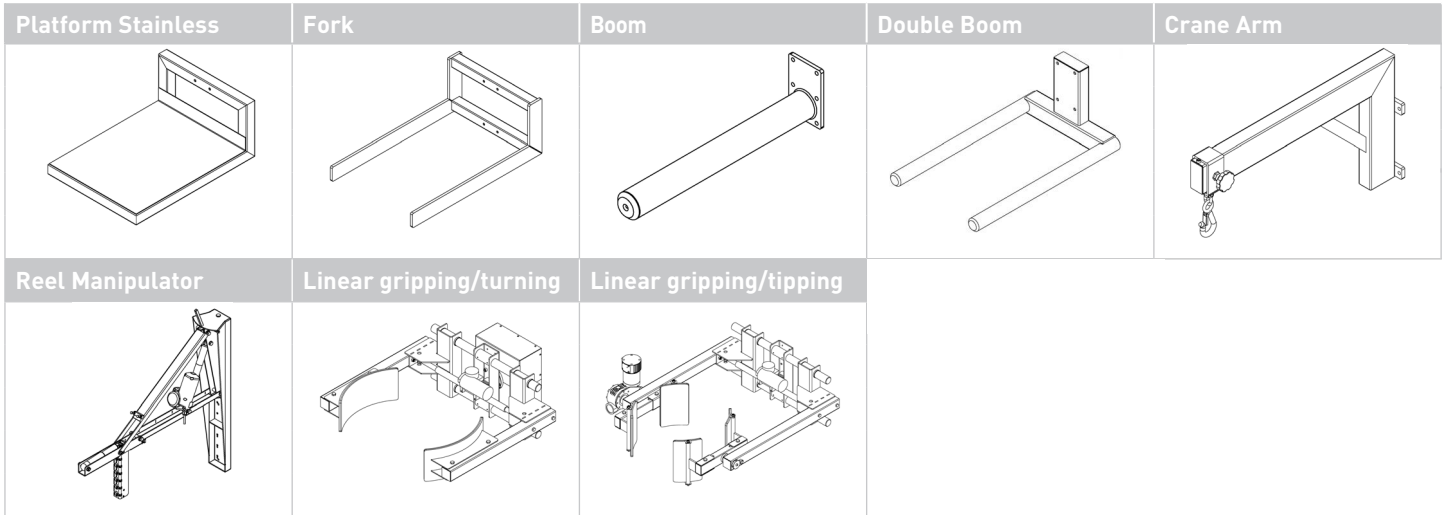
LIFTING & MOVING TECHNOLOGY

E300R

LEG TYPES



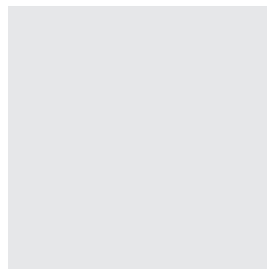
STAINLESS STEEL TOOLS



Type	Capacity	Lifting height	Mast height	Speed	Batteries	Weight
	kg	mm	mm	mm/sec	Voltage / AH	kg
300R M	300	1300	1970	125	24/18	105
300R H	300	1650	2320	125	24/18	115

WHEELS

Leg 1, Leg 2, Leg 3 and Leg 4:
 Front wheels, fixed Ø80 mm
 Rear wheels, swivel Ø150 mm with central brake



**SEE VIDEOS:
WWW.YOUTUBE.COM/HOVMANDIMPACT**

HOVMAND
 LIFTING & MOVING TECHNOLOGY

HOVMAND A/S • RUSTKAMMERVEJ 10 • DK-4180 SORØ
 HOVMAND GMBH • RUPERT-MAYER-STR. 44 • DE-81379 MÜNCHEN
 PHONE +45 57 83 33 00 • MAIL@HOVMAND.COM • WWW.HOVMAND.COM