

METAL DETECTOR FOR ALUMINUM-PACKAGED PRODUCTS

NAD-4000 Series

ECONOMICAL AND EFFECTIVE SEARCH FOR METAL
IN CONDUCTIVE OR ALUMINUM-PACKAGED PRODUCTS



ALCON



NAD4000 Series metal detector detects even the smallest metal particles safely and reliably in every type of aluminum-packaged products. Compared with X-Ray scanners, **NAD 4000 Series** overcomes the high density differences in product or high evaluation thresholds due to variations in the production process. The intelligent, passive magnetic surface sensor works without wear, contrary to X-Ray scanners, and is easy to operate as the systems works without X-Rays. Wet and salty products such as cheese and meats do not affect detecting performance. Wires, chips and broken injection needles are reliably detected irrespective of product orientation.

**NOW
SYSTEMS**

Total Inspection Systems & solution
NOW SYSTEMS CO., LTD.



INNOBIZ
기술혁신영웅소기업

Just let it go as it is!



NOWSYSTEMS
NAD4000 Series ALCON

METAL DETECTOR FOR ALUMINUM-PACKAGED PRODUCTS

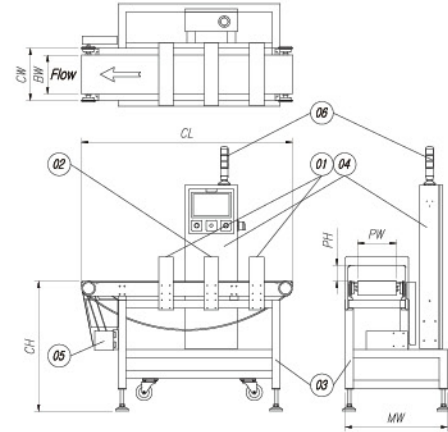
NAD-4000 Series



ALCON



- Without hazardous X-Rays
- Low investment and maintenance cost
- Wear-free detecting system
- No need to be certified or inspected by government law
- No need to care about "product effect" & "hot temperature"
- Product orientation does not influence the signal strength
- Easy to learn & No need to train an operator
- Usable with every type of aluminum-packaged products
- Connectivity to Various External Devices
- Configurable Passing Height (Min. 50 ~ Max. 150mm by every 10.0mm)
- Manageable Metal Detecting History
- Password Setup Function
- Easy Software Update



No	Description	Material
1	SENSOR	-
2	MAGNET	-
3	CONVEYOR FRAME	SUS304
4	CONTROL BOX	SUS304
5	MOTOR	-
6	TOWER LAMP	-

Model Name		NAD4000-2505 ~ 2515
Machine Width (MW)		630mm
Conveyor Size	Length (CL)	Min. 1,400 ~ Max. 1,800 (Every 100mm) (Min. 1,300 is possible for rejecter type)
	Height (CH)	Min. 650mm (+/-50 & 100mm)
	Width (CW)	390mm
Belt Width	Plastic Belt (BW)	240mm
	Urethane Belt (BW)	250mm
Belt Speed	Plastic Belt	20 ~ 42m/min.
	Urethane Belt	20 ~ 37m/min.
Product Passing Height (PH) *Configurable by every 10mm / from the belt surface		Standard (90mm) Min. 50 ~ Max. 150mm
Product Passing Width	Plastic Belt (PW)	240mm
	Urethane Belt (PW)	250mm
Testing Product Size	Width (W)	Less than 240mm
	Height (H)	Less than 150mm
Display		10 inch 15.7 color TFT LCD Screen (Resolution: 800 x 480)
Control		Touch Screen, Power Switch, Conveyor Switch & Emergency Switch
Preset		Max. 10 items (Expandable upon request)
IP Level (Conveyor)		IP-55
Power Supply		Single Phase AC220(110)V 50/60HZ
Relay Ports		AC SSR Relay (8A) SPST NO (Form A): 4 ports DC PhotoMOS (1A) SPST NO (Form A): 4 ports
Inputs		8 ports
Outputs		AC Output: 4 ports / 24V Output: 4 ports
Operating Temperature		0°C to 50°C
Material of Protection Cover		PC (Polycarbonate)
Tower Lamp		Green & Red (2 Colors) / Buzzer
External Printer (Optional)		HP-320
Rejecters (Optional)	AB	Air Blast
	FB	Flip Bar (Separable Type)
Allowable in-feed load		Around 1.0 Kg / Piece
Unit Weight		Approx. 80.0 kg (Standard Conveyor Length: 1,400mm)
Estimated Sensitivity (Ferrous & Stainless Steel 304) *based on regular hexahedron test pieces provided by Now systems		1.0mm under passing height (50mm) 1.5mm under passing height (100mm) 2.0mm under passing height (150mm)