

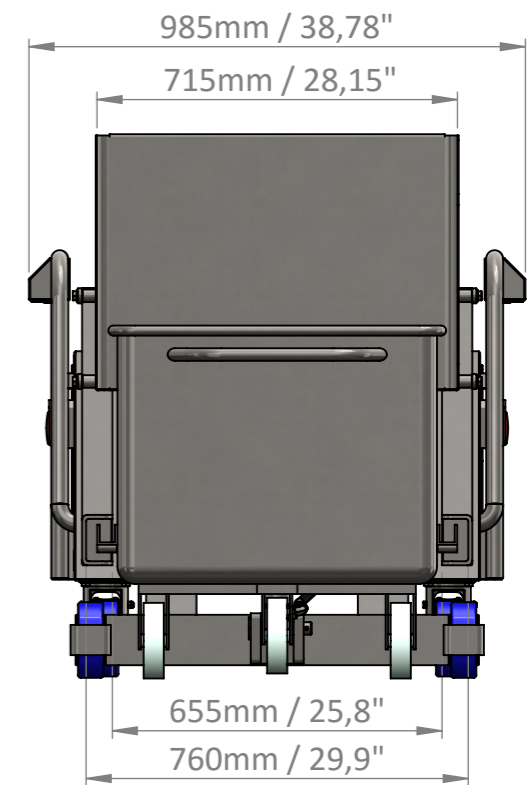
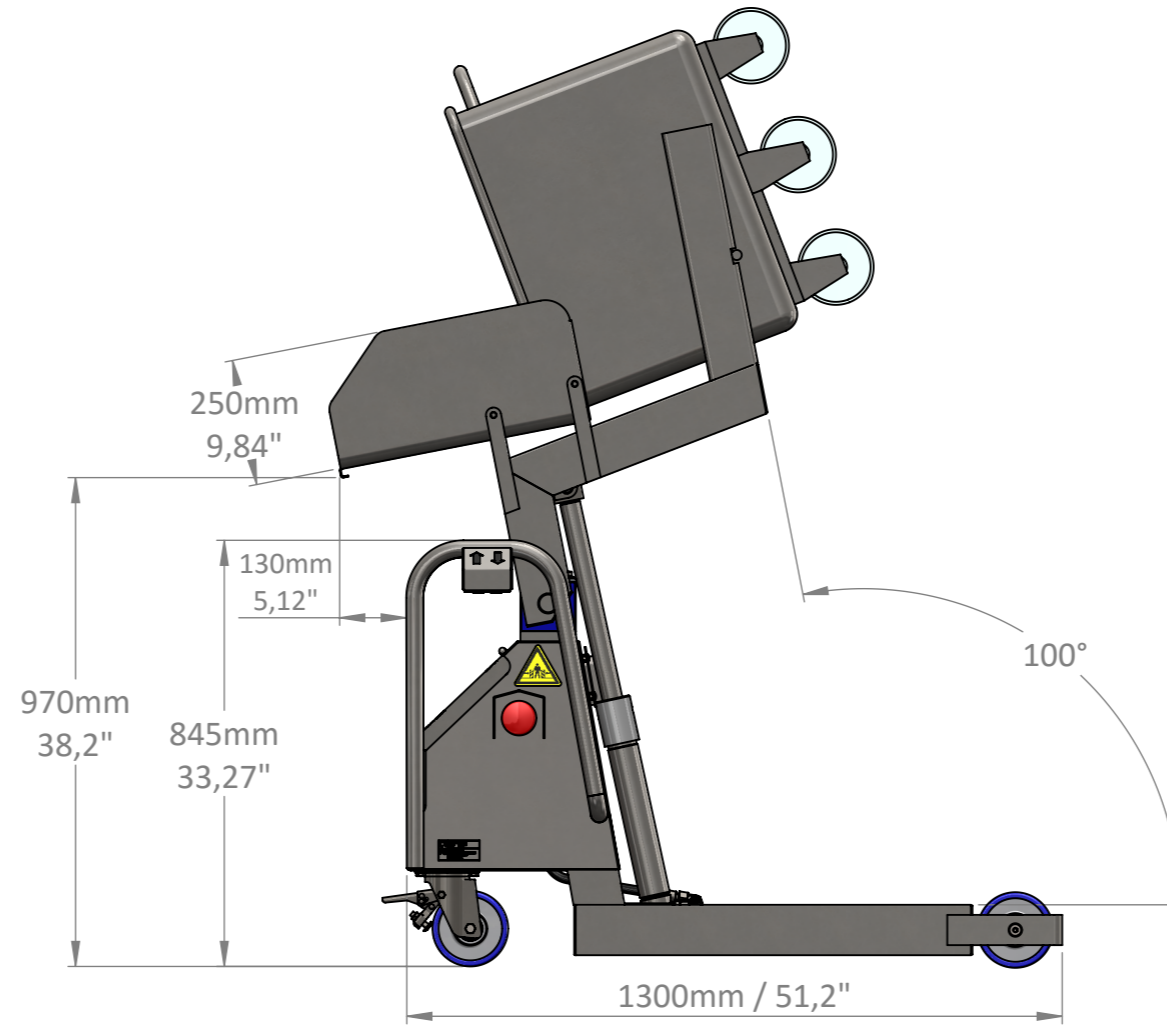
Customizable

Demands:

Bin Measures: 200 l. / 300 l. Norm Trolley (DIN 9797)

Max. 400 kg. / 880 lb.

Type: NT



DIMENSIONS TOLERANCES: LINEAR: ±5mm / ±0.2" ANGULAR: ±1°		PROJECTION METHOD 				DO NOT SCALE DRAWING	
DRAWN RL CHK'D BvO		NAME DATE		Kruisbroeksestraat 17 5281 RV Boxtel the Netherlands info@backsaver.nl www.backsaver.nl Tel. +31(0)411 672652		CLIENT: Van Oirschot Roestvrijstaal B.V.	
PROPRIETARY AND CONFIDENTIAL THE INFORMATION CONTAINED IN THIS DRAWING IS THE SOLE PROPERTY OF VAN OIRSCHOT ROESTVRIJSTAAL BV - BOXTEL, THE NETHERLANDS. ANY REPRODUCTION IN PART OR AS A WHOLE WITHOUT THE WRITTEN PERMISSION OF VAN OIRSCHOT ROESTVRIJSTAAL BV - BOXTEL, THE NETHERLANDS IS PROHIBITED.				MATERIAL: AISI304 (1.4301) / AISI316 (1.4404)		TITLE: BSMNT	
				FINISH: Glass bead blasting		DWG NO. SW_13130	
						SCALE:1:15	
						SHEET 1 OF 1	



A3