

Customizable

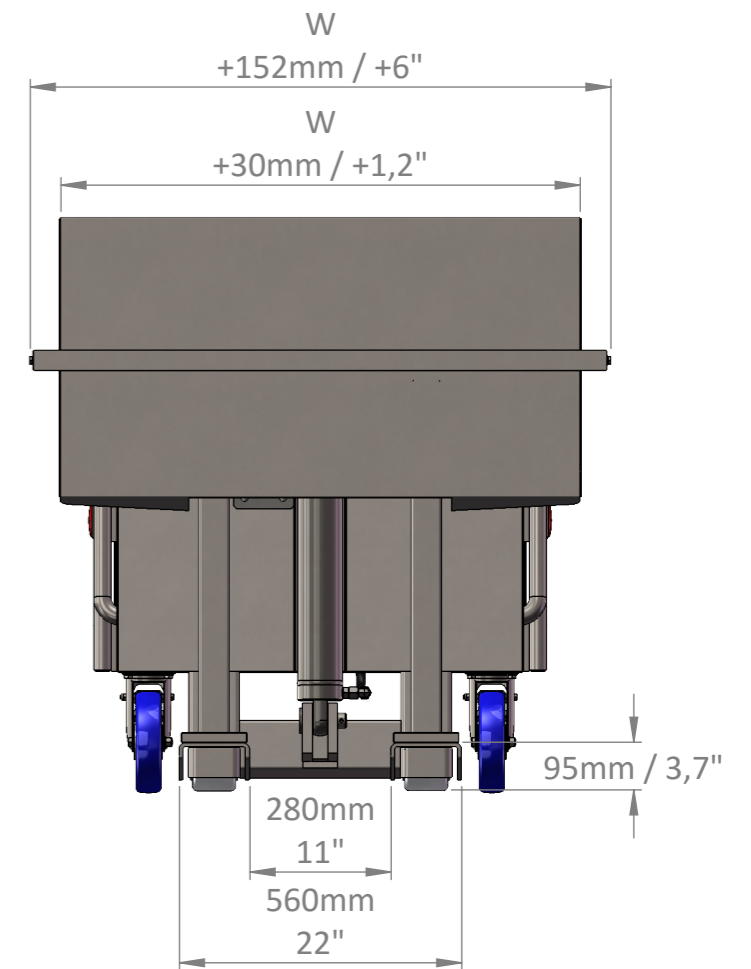
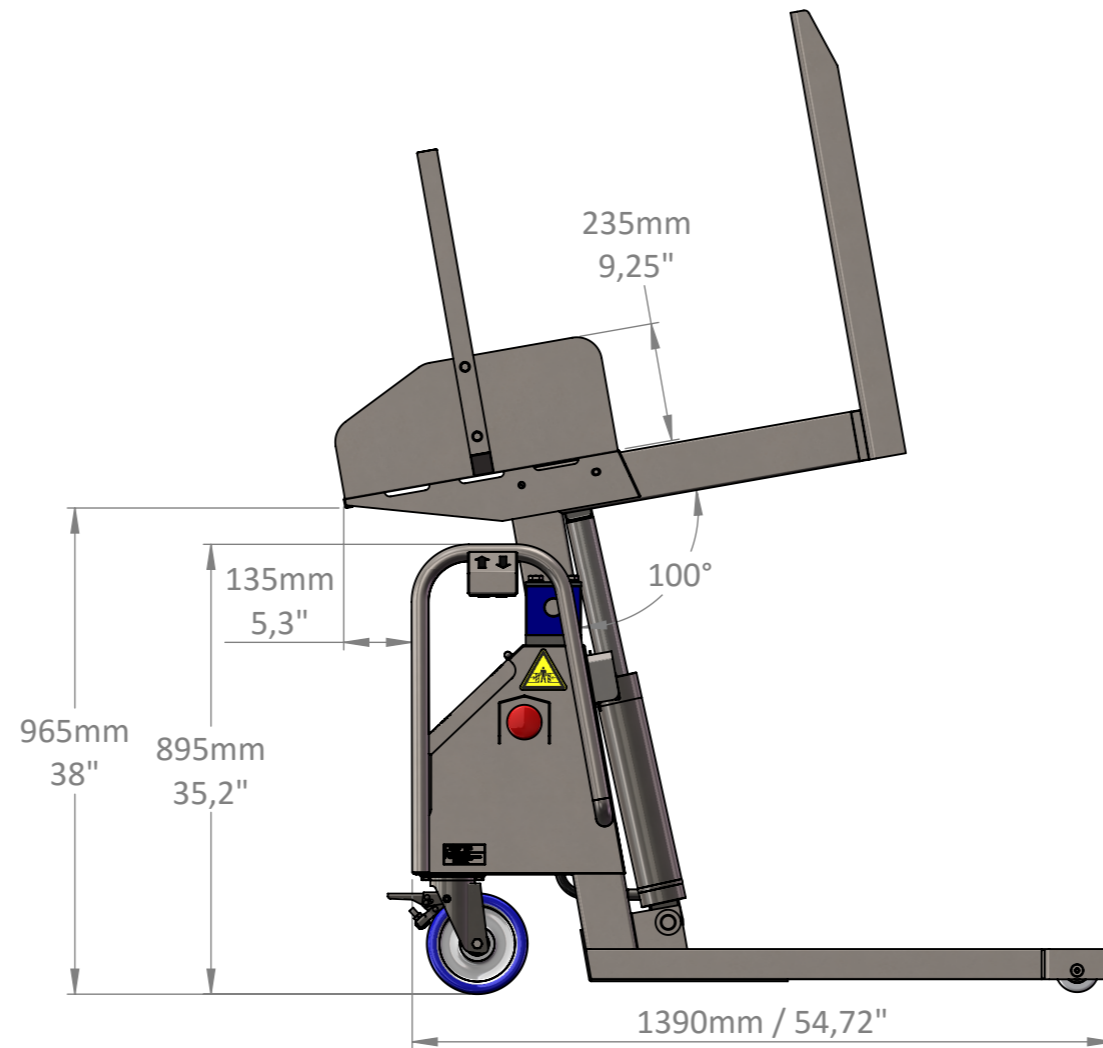
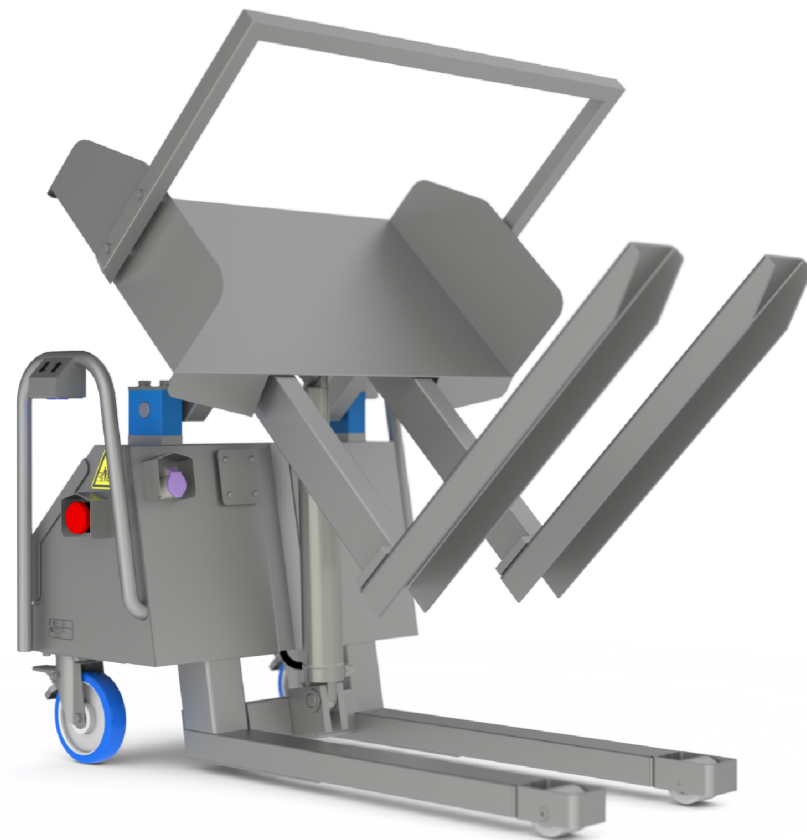
Demands:

Bin Measures (LxWxH): x x

Bin Weight: _____

Max. 900 kg. / 2000 lb.

Type: STD



DIMENSIONS TOLERANCES: LINEAR: ±5mm / ±0.2" ANGULAR: ±1°		PROJECTION METHOD 	BACKsaver work hard lift smart	DO NOT SCALE DRAWING
DRAWN RL DATE 24-2-2016 CH'K'D BvO DATE 24-2-2016		Kruisbroeksestraat 17 5281 RV Boxtel the Netherlands info@backsaver.nl www.backsaver.nl Tel. +31(0)411 672652		CLIENT: Van Oirschot Roestvrijstaal B.V.
PROPRIETARY AND CONFIDENTIAL THE INFORMATION CONTAINED IN THIS DRAWING IS THE SOLE PROPERTY OF VAN OIRSCHOT ROESTVRIJSTAAL BV - BOXTEL, THE NETHERLANDS. ANY REPRODUCTION IN PART OR AS A WHOLE WITHOUT THE WRITTEN PERMISSION OF VAN OIRSCHOT ROESTVRIJSTAAL BV - BOXTEL, THE NETHERLANDS IS PROHIBITED.		MATERIAL: AISI304 (1.4301) / AISI316 (1.4404)	FINISH: Glass bead blasting	TITLE: BSMSTD
		DWG NO. SW_10033	SCALE:1:15	SHEET 1 OF 1

A3